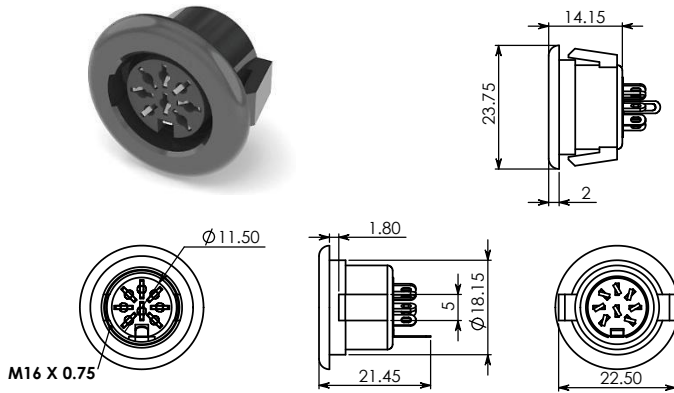


YE-140X DIN SOCKET CHASSIS MOUNT SCREW LOCKING



MATERIAL :

1. SHIELD COVER : PA6
2. GND CONT. : COPPER NICKEL PTD.
3. HOUSING : ABS
4. TERMINALS : BRASS SILVER PTD.

SPECIFICATION :

Rating : 100V AC 1A max.

Contact Resistance :

Pins 30mΩ max.

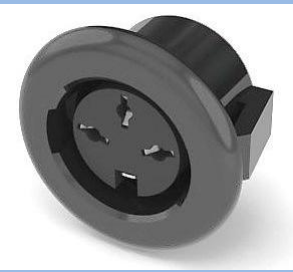
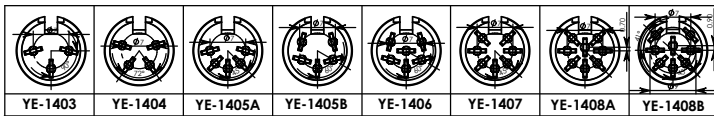
Shell 50mΩ max.

Insulation Resistance :

100MΩ at 500V DC min.

Voltage Withstand :

250V AC for 1 minute



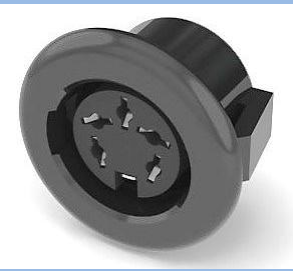
YE-1403



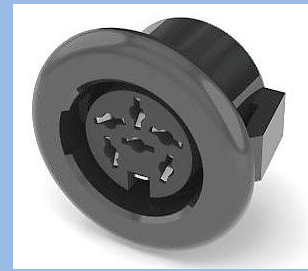
YE-1404



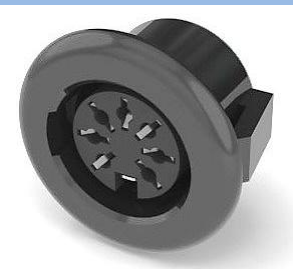
YE-1405A



YE-1405B



YE-1406



YE-1407



YE-1408A



YE-1408B